

sapa:

buildingsystem

ARCHITECTURAL ALUMINIUM SOLUTIONS

SAPA 1086 FOLDING FRENCH WINDOW

High insulated and for large openings



SAPA 1086 FOLDING FRENCH WINDOW

High insulated and for large openings

This stunning new addition to the Thermo 86 family has a unique and inventive design where traditional hinges are replaced with continuous hinges. The innovative hinges are integrated in the aluminium profiles which mean that there are no bulky or unsightly hinges to disrupt the contemporary sightlines. As they run along the entire window sashes, forces are distributed evenly and without risk of warping.

The innovative feature provides not only stability but also prevents finger trapping, gives unbroken seal lines as well as minimal needs for adjustments and maintenance.

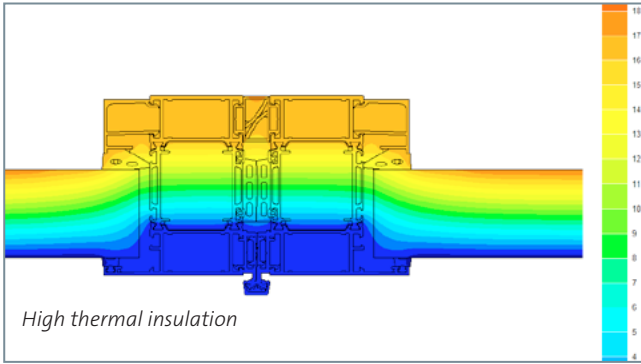
The window operates quietly and has a neat and clean appearance with no visible screws. The window opens by folding the window sashes together on the outside, forming a package next to the window frame. The precision and smoothness is achieved through an integrated polyamide head guide track and heavy duty wheels running on a track rail of stainless steel.

Optimum fit is done through hidden adjustment frames giving the window a very smooth ride and a perfect finish.

A new folding French window in aluminium with excellent weather performance and good thermal insulation. Innovative technology provides you with stylish design and good comfort.

Ideal for homes, balconies, patios, conservatories, restaurants, shops, kiosks and offices.



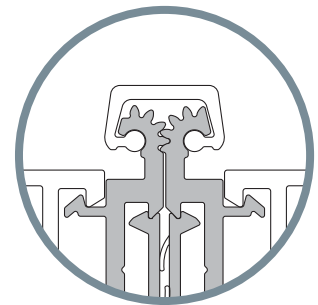
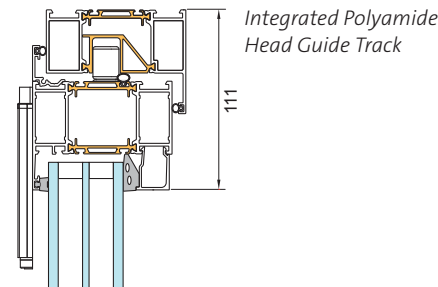


Sapa 1086 folding French window for outwards opening is available with a low or a high sill depending on the performance you wish. It is fully compatible with other window and door products from the Sapa Thermo 86 family.

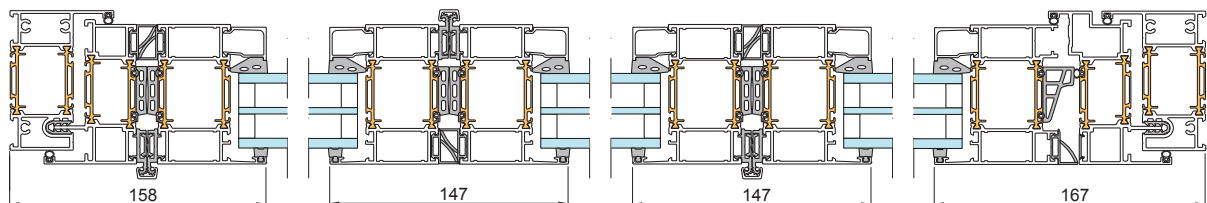
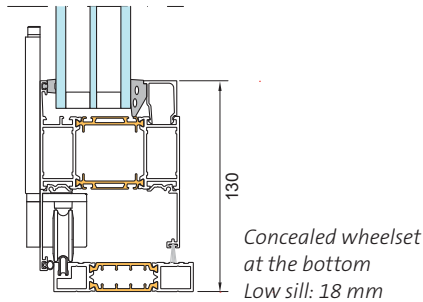
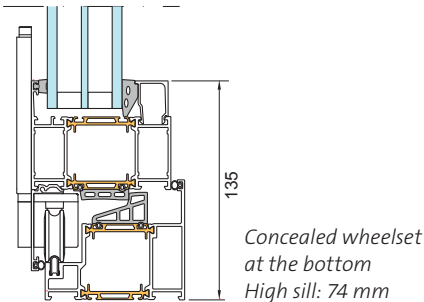
- Continuous Hinges - Inobtrusive aesthetics, no adjustment required and prevents finger trapping
- Polyamide Head Guide Track for improved thermal performance and smooth/quiet operation
- Multicavity Outer Frame for good thermal insulation
- Unique Combined Shootbolt & D Handle - Key lockable & Shootbolt and pull handle in one
- Available in 3, 5 & 7 pane options, types 330, 550 & 770

Sapa 1086 folding French window	
Glass thickness	Double- or triple-glazed: up to 64 mm
Profile depth	86 mm
Sash width, max	1100 mm
Sash height, max	2300 mm
Vent weight, max	100 kg
Pane options	Combine up to 7 folding doors
Fittings	Pass door: available with lockable handle. Folding door: integrated continuous hinges, magnetic seizure locks the door package in open position.
Wheels and track rails	Stainless steel
Sill height	Low sill: 18 mm. High sill: 74 mm
Finishing	Powder coating or anodising
Water tightness	Low sill: class 1A according to EN 12208 High sill: class 9A according to EN 12208
Air tightness	Class 4 according to EN 12207
Security against wind load	Low sill: class C2 according to EN 12210 High sill: class C3 according to EN 12210
U-value	1,0 W/m ² K, w 1100 x h 2300 mm (U _g =0,7 W/m ² K)

Sapa 1086 folding French window, cross sections



Innovative Sapa feature: Integrated continuous hinges



COMBINATION OPTIONS AND HARDWARE

Find your solution

Sapa 1086 folding French window

FOD = frame outer dimensions

FOD height: max. 2461 mm high sill, max. 2456 mm with a low sill.

Clear opening height with high sill = FOD - 138 mm. Clear opening height with low sill = FOD - 82 mm.



FOD width max 3508 mm

Clear opening width = FOD-487 mm



FOD width max 5734 mm

Clear opening width = FOD-696 mm



FOD width max 6600 mm

Clear opening width = FOD-905 mm

Handles



Handle pass dorr,
inside only, lockable
Art. no. 16436 right
Art. no. 16437 left



Handle pass door,
inside/outside, can be
supplemented with
separate cylinder
Fix 83H right
Fix 83V left



Handle pass door,
inside/outside, can be
supplemented with
separate cylinder
Art. no. 16434 right
Art. no. 16435 left



Shootbolt & D
Handle, Inside,
lockable
Art. no. 16469

