

General information about completion of delivery:

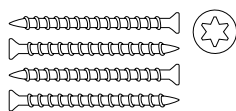
- If possible, windows arrive fully assembled with installed glass from the factory. If the product arrives unglazed, follow the glass unit installation manual.
- The required quantity of mounting brackets (art. nr. C02077) are packed separately in a box together with screws for fastening to the frame (art. nr. 12165). Screws for fastening brackets to the wall are not included.
- Preparation and insulation of the building openings should be defined before installation works. It is the responsibility of the customer, architect and dealer.

Installation material:



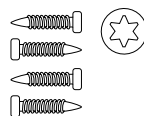
1. Brackets (C02077)

The required quantity are included in delivery.



2. Screws

For fastening brackets to the wall. Not included in delivery.



3. Screws (12165)

For fastening brackets. The required quantity are included in delivery.



4. Wedges

Use stable, waterproof material, e.g. plastic. Not included in delivery.



5. Bearing pads

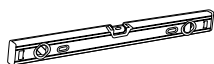
Use stable, waterproof material, e.g. plastic. Not included in delivery.

Installation tools:

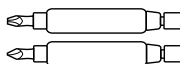
Not included in delivery.



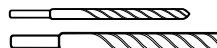
1. Cordless screwdriver



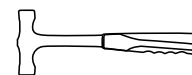
2. Spirit level



3. Magnetic bits



4. Drills

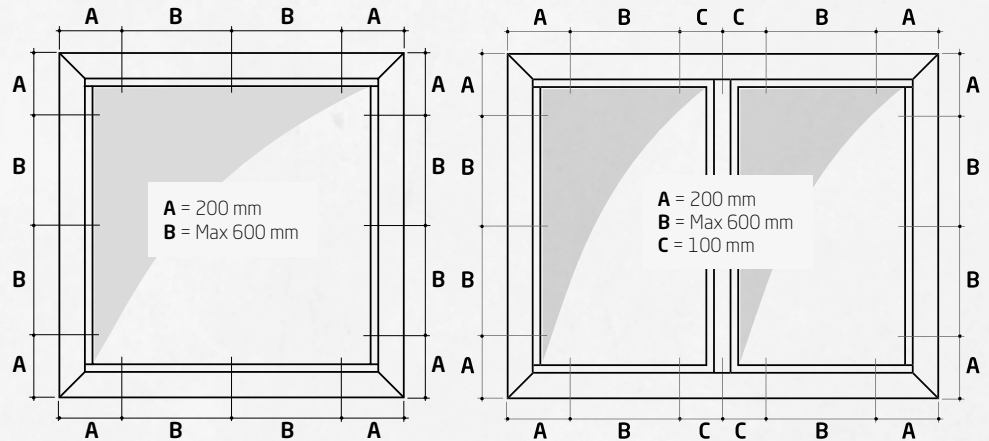


5. Light hammer

Window preparation

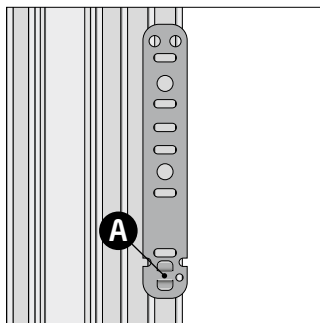
Fix all required brackets to the frame according to the instructions below:

- There are only two fixing points on the left/right sides for heights under 1300 mm. (A = 200 mm)
- A = 100 mm for window heights under 800 mm (this applies only to the left/right sides)
- No fixing points at the top and bottom if the width is under 1000 mm

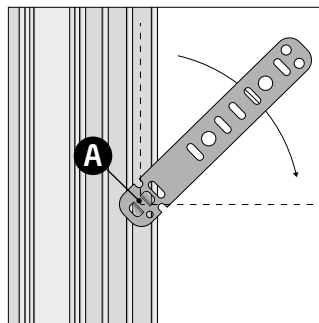


Step 1. Bracket mounting steps

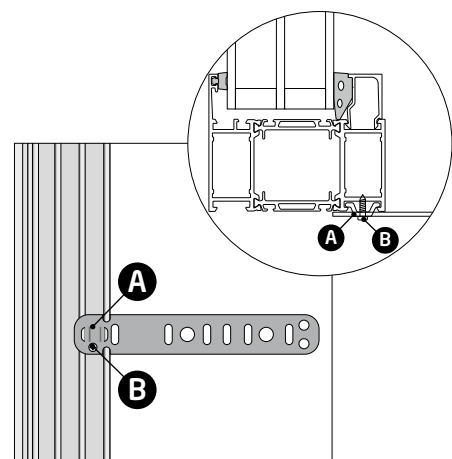
Fasten mounting brackets (C02077) to the frame by screws 12165.



Step 1.1 The bracket should be fitted in one line of the profile. Bracket "knobs" should be fitted in the grooves (A).

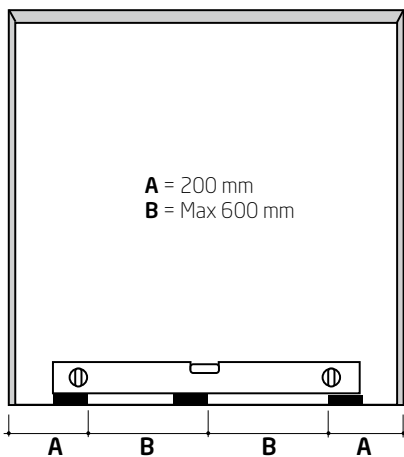


Step 1.2 Turn the bracket through 90 degrees.

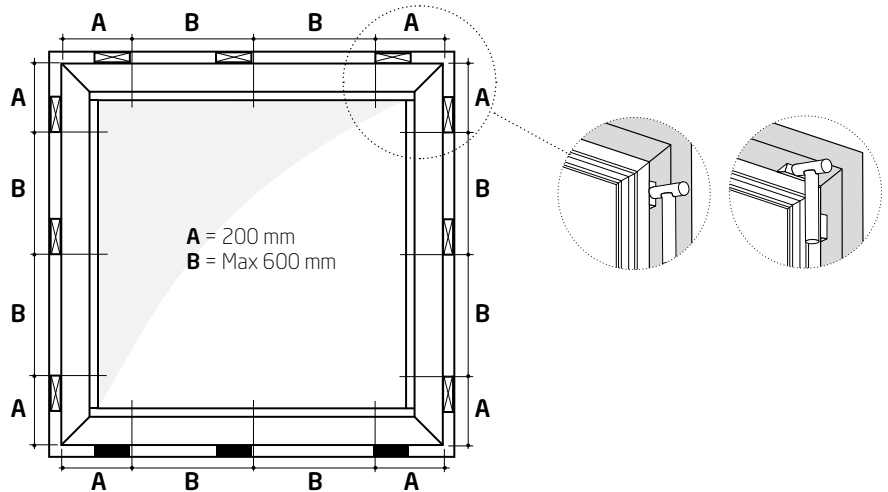


Step 1.3 The bracket should be fastened to the frame with a screw (12165). One pc./bracket (B).



Step 2. Window installation to the opening



Step 2.1 Place bearing pads at the bottom of the opening next to each fixing point on the window (A) and (B). If the window width is less than 1000 mm, bearing pads are only needed in position (A). Ensure they are level.

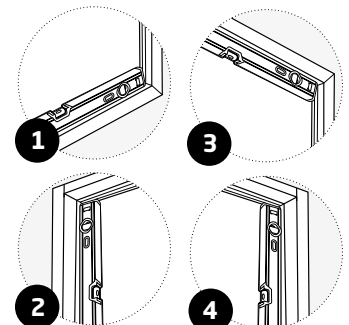
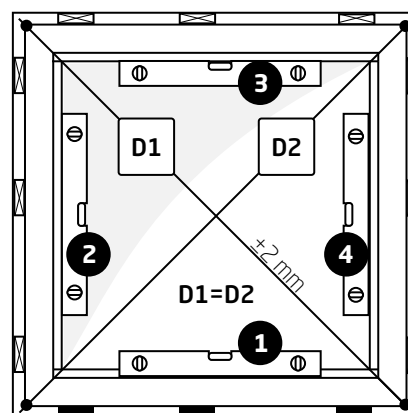


Step 2.2 Fix the frame with wedges into the wall opening. Wedges must be positioned next to each fixing point on the window, beneath the frame.

-  = Wedges
-  = Bearing pads

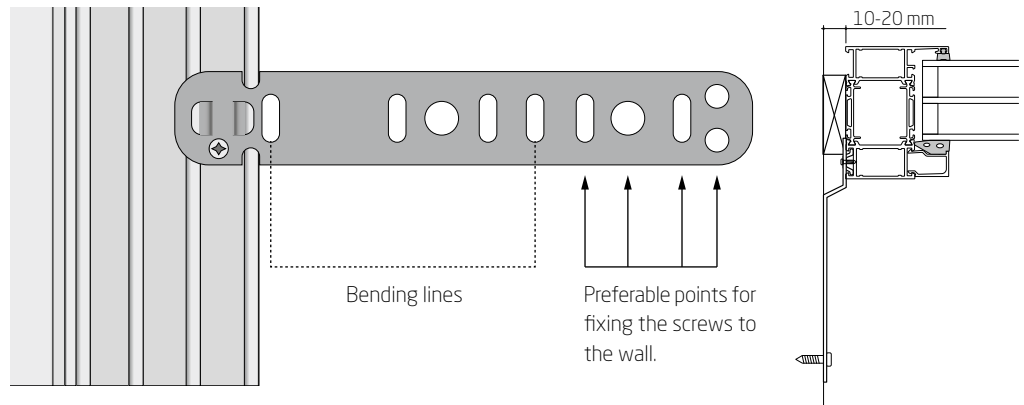
NB! For the gap between the frame and the wall it is recommended to leave: 10-20 mm.

Step 2.3 Ensure the window is level.

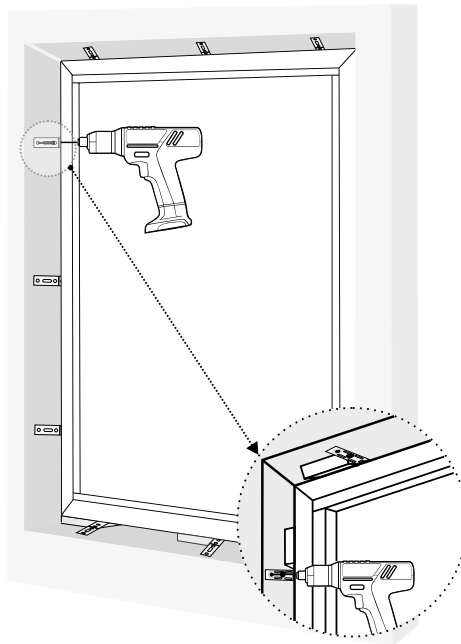


Step 3. Fasten the window to the wall

Step 3.1 Bend all the brackets to the required angle to fit the distance to the wall.

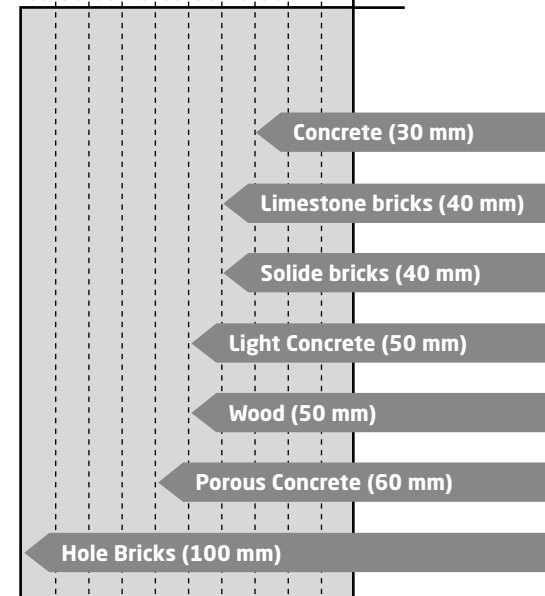


Step 3.2 Fasten the window with the screws to the wall.



Depth of drilling according material:

100|90|80|70|60|50|40|30| mm



Step 3.3 Ensure horizontal and vertical levelling of the frame (according to Step 2.3).

Step 3.4 Seal the gap between the frame and wall.

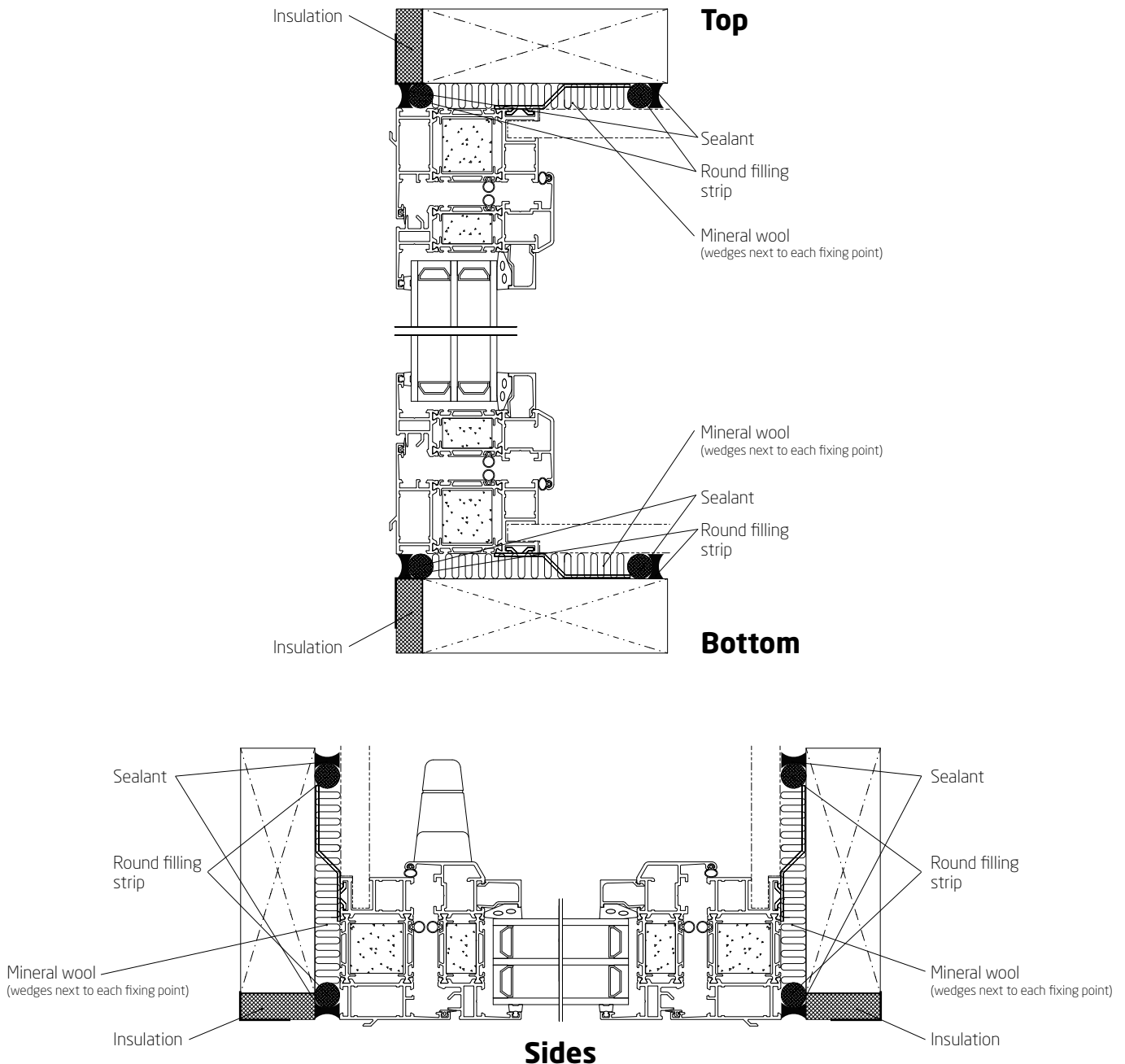
NB! All the bearing pads and wedges should be left in place!

NB! Combination windows

In the case of combination windows with an opening section, check the functionality of the sash. Adjust if needed.

It is not recommended to fasten aluminium doors/windows into a wooden carcass due to the high risk of wood deformation due to environmental impact (cold/heat)

HelAlu windows sealing recommendations



- Principle of the sealing can vary depending on the type of the wall, where construction is installed in.
- Product should not protrude outside the insulation zone of the wall.
- Water run-off, wind/draught proofing between frame and wall must be carried out in accordance with byggforsk Norway details.