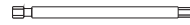


Window With Visible Hinges Sash Removal

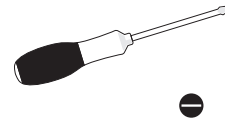
Tools needed:



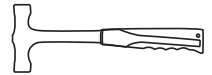
**Cordless
screwdriver**



2.5
2.5 mm hexagon



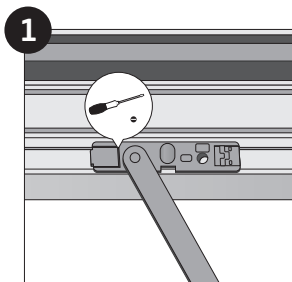
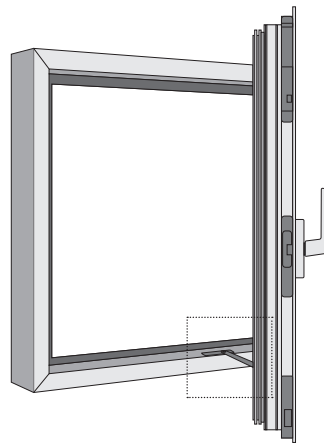
Screw driver



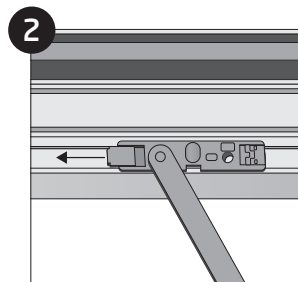
Light hammer

Step 1. Open the sash for removing opening restrictor.

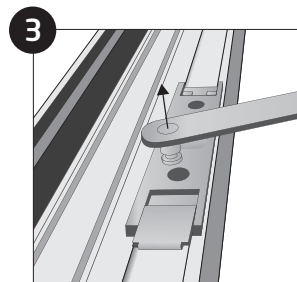
(Ps. Opening restrictor is not a must thing. It depends on a window furniture list. In some cases it might not be included.)



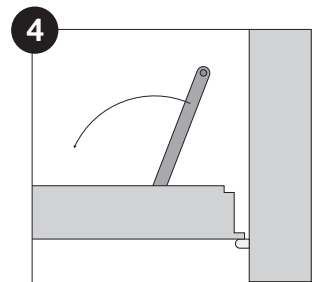
Release fixator of the holder with the help of screwdriver. Just fit screwdriver into the gap.



Slide the restrictor to the side

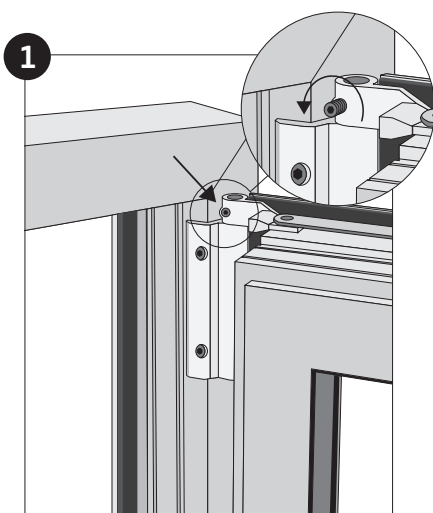
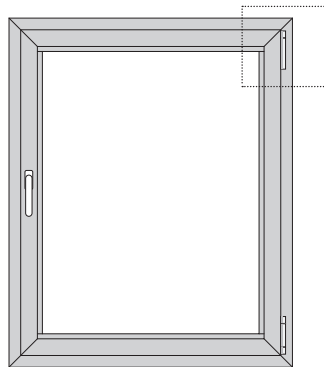


Lift up the restrictor from the holder.

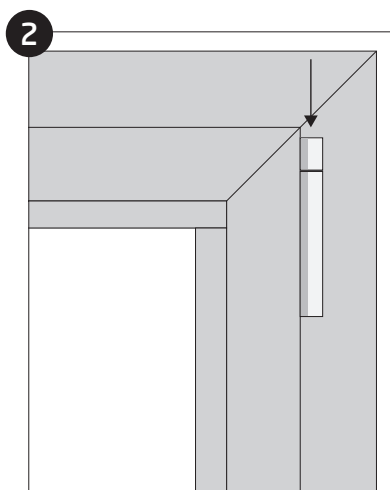


Turn released restrictor under the sash to avoid breaking

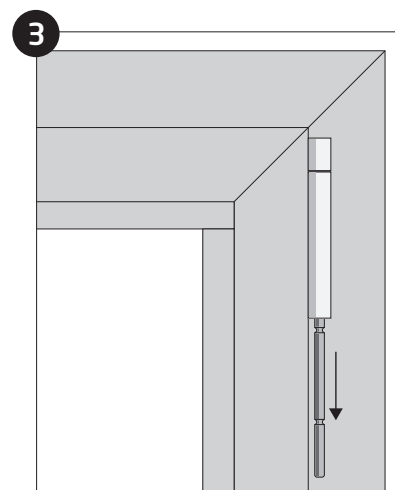
Step 2. Release the upper hinge of the sash.



Release the top screw holding the hinge pin (turn anticlockwise) with the help of Hexagonal screwdriver bit. Top screw must be unscrewed entirely.



Close the sash back to the frame. Keep handle in "Turn" position. Punch the pin out of the hinge by pressing on it from the top to the bottom direction (screw driver and light hammer might be used)

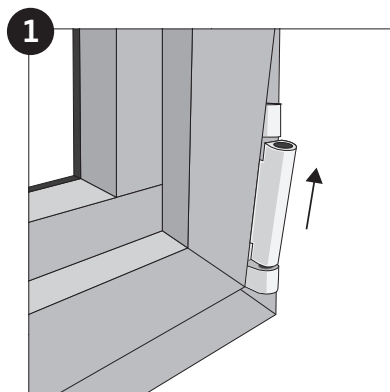


Take out the pin completely.

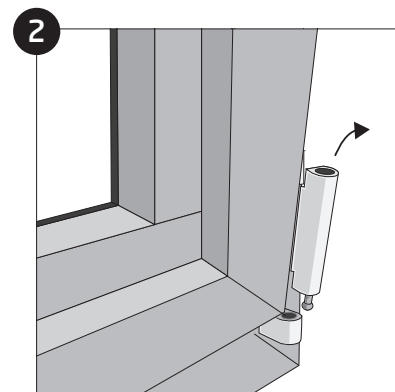
NB! Top hinge screw must be unscrewed entirely. If not, it might damage frame paints when closing the sash.

Step 3. Take the sash out of the bottom hinge.

Step 4. After removing the sash, place it safely (vertical support recommended)



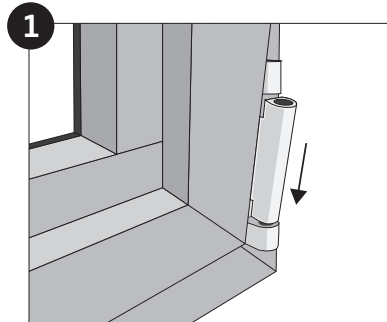
Turn the sash to yourself (Keep handle in "Turn" position)



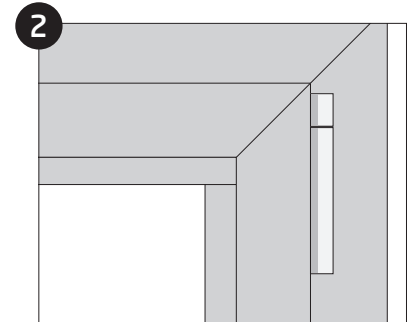
Lift the sash up in order to take it out from the bottom hinge

Window with visible hinges sash installation back to the frame

Step 1. Fix the sash in to the frame:

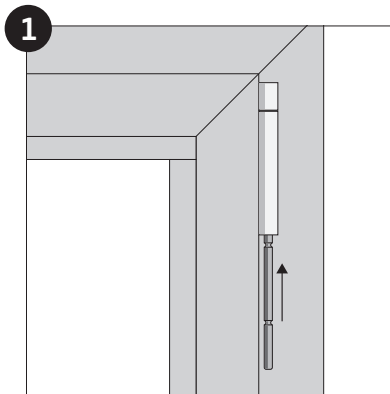


Fit the sash in to the bottom hinge:

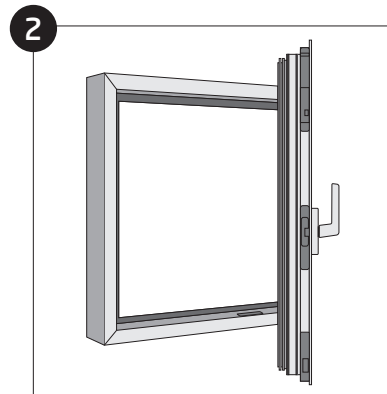


Close the sash to the frame.

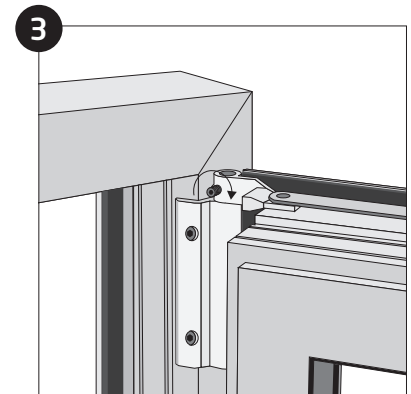
Step 2. Fix pin of the upper hinge of the sash



Fit the pin back in the upper hinge. Light hammer may be preferable for this operation

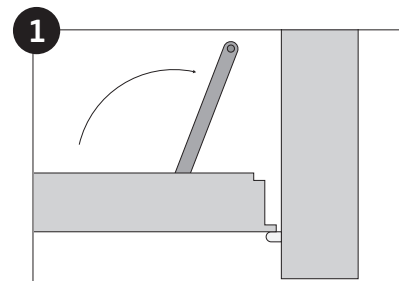


Open the sash in 90 degrees or more in order to work conveniently.

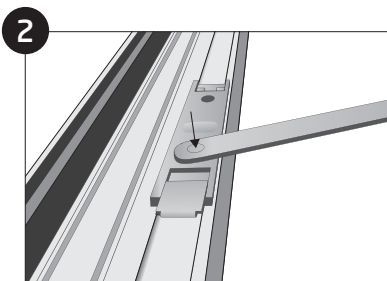


Fasten the top screw back to the sash (turn clockwise) with the help of Hexagonal screw-driver bit.

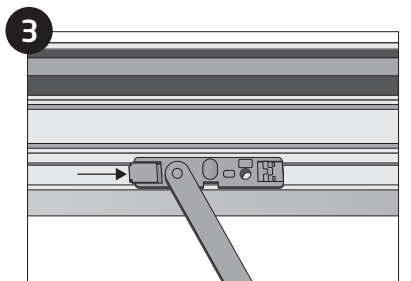
Step 3. Fasten the opening restrictor back to the frame



Turn restrictor out of the sash.



Fit the restrictor back to the holder on the frame.



Push the restrictor to lock it in to the place.

Step 4. Close the sash, check if it is functioning properly. Adjust if needed.